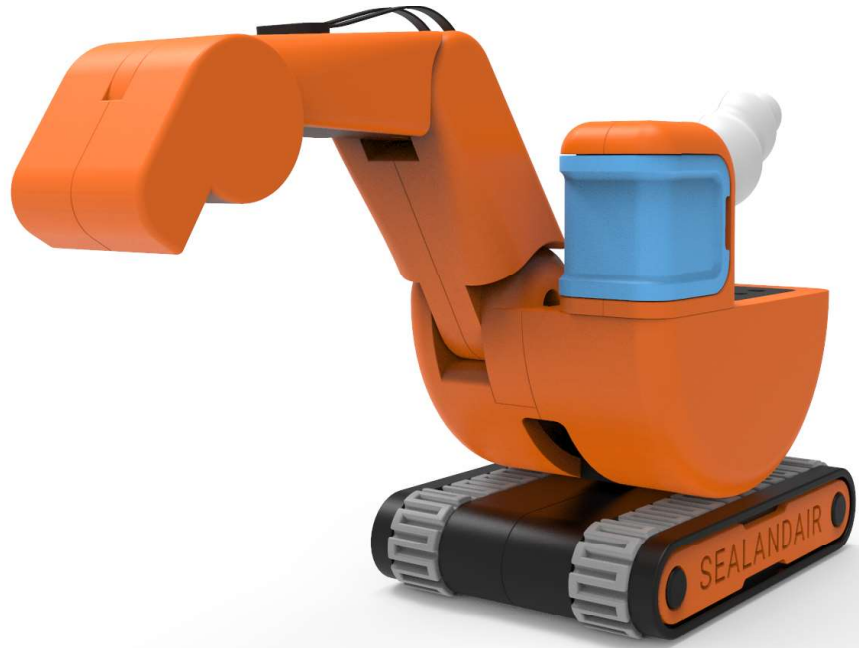


MINImax

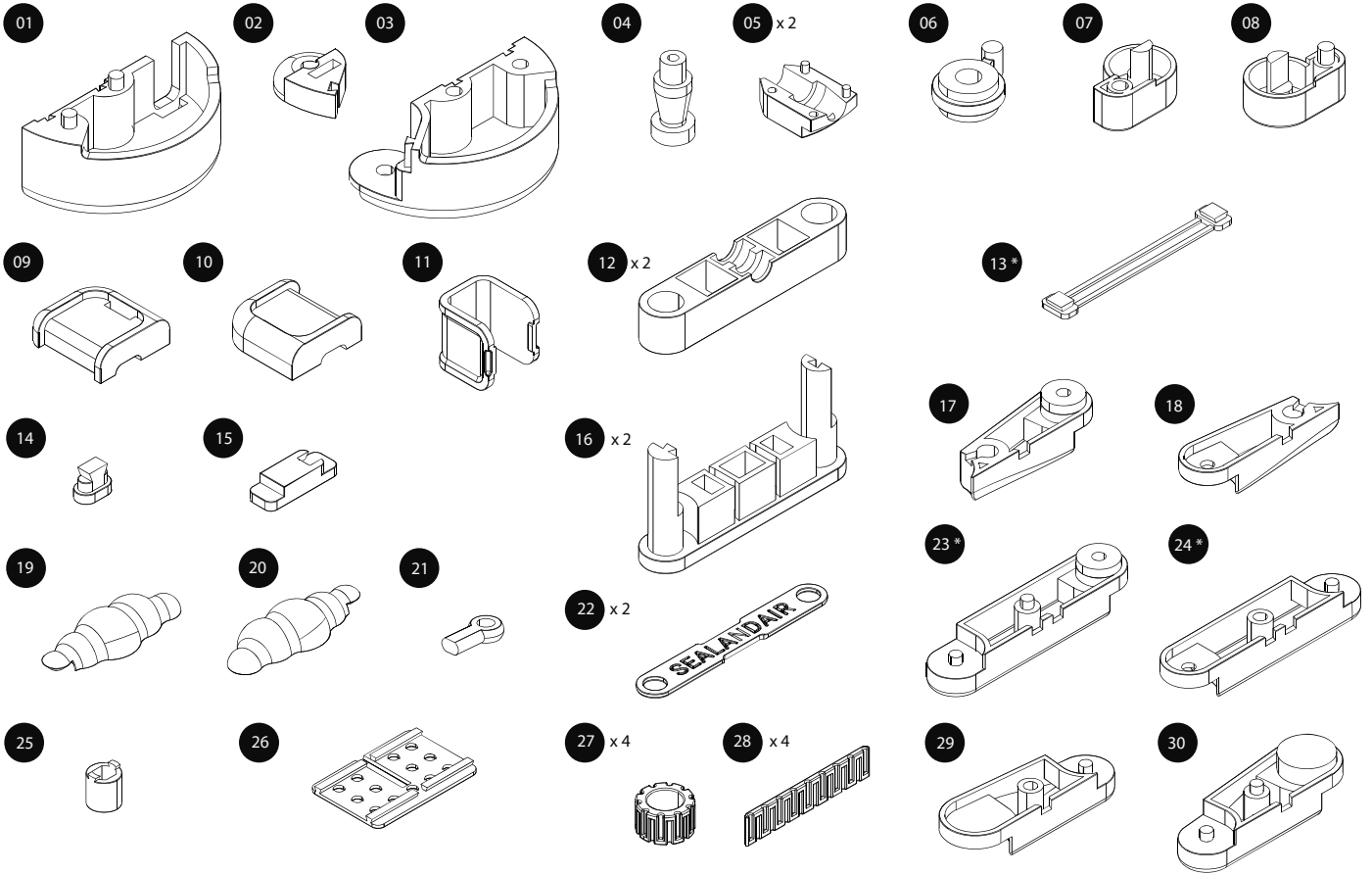
DESK DIGGER



In the back of your heart it's always been there. The desire to tear down the walls then build something new, something significant. You commute to and from work everyday and see the machines at the job sites and wonder what it would be like to roll across dirt, to operate a shovel, to dig into the ground. But deep inside you know exactly what it's like because you used to do it all the time as a kid. You used to play with your toys in the dirt and it felt great. Now you're pushing paper or pushing pixels and wonder... "what if?" The SeaLandAir MINImax Desk Digger is for you. Print it, build it, then Dig Up Your Desk.

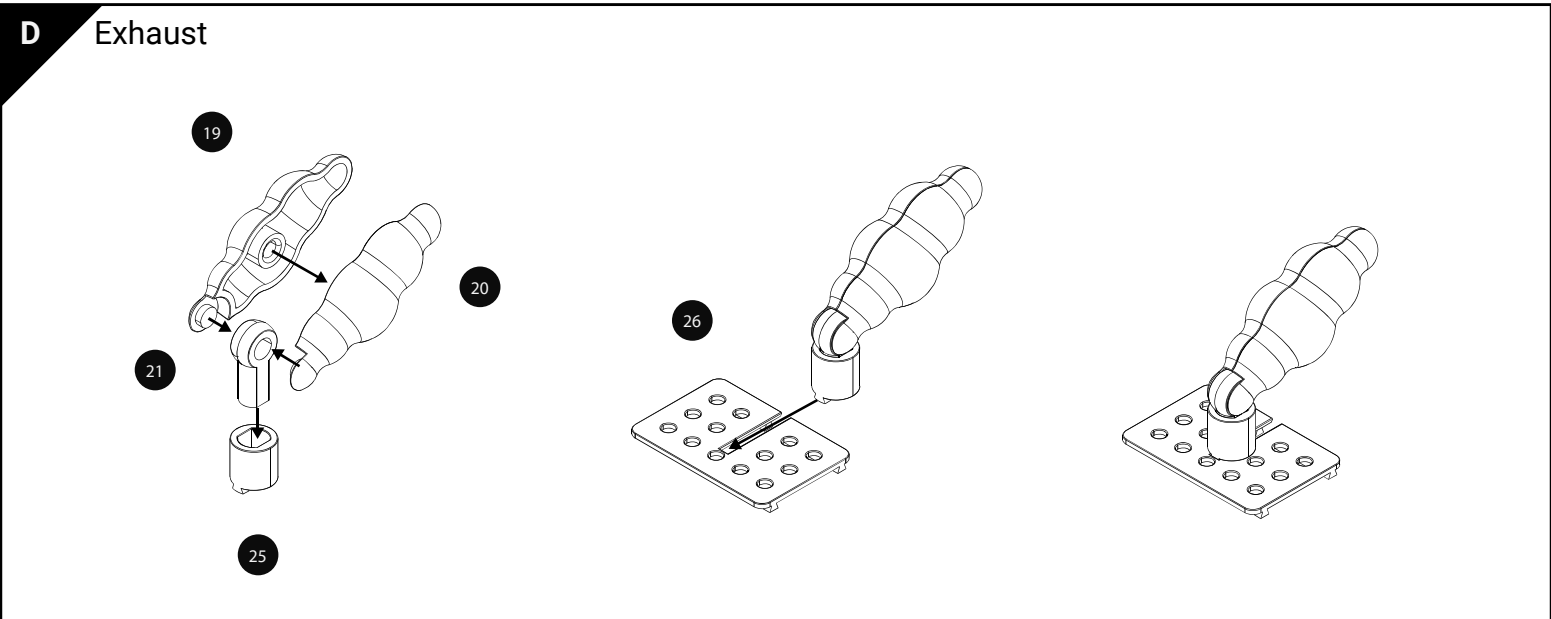
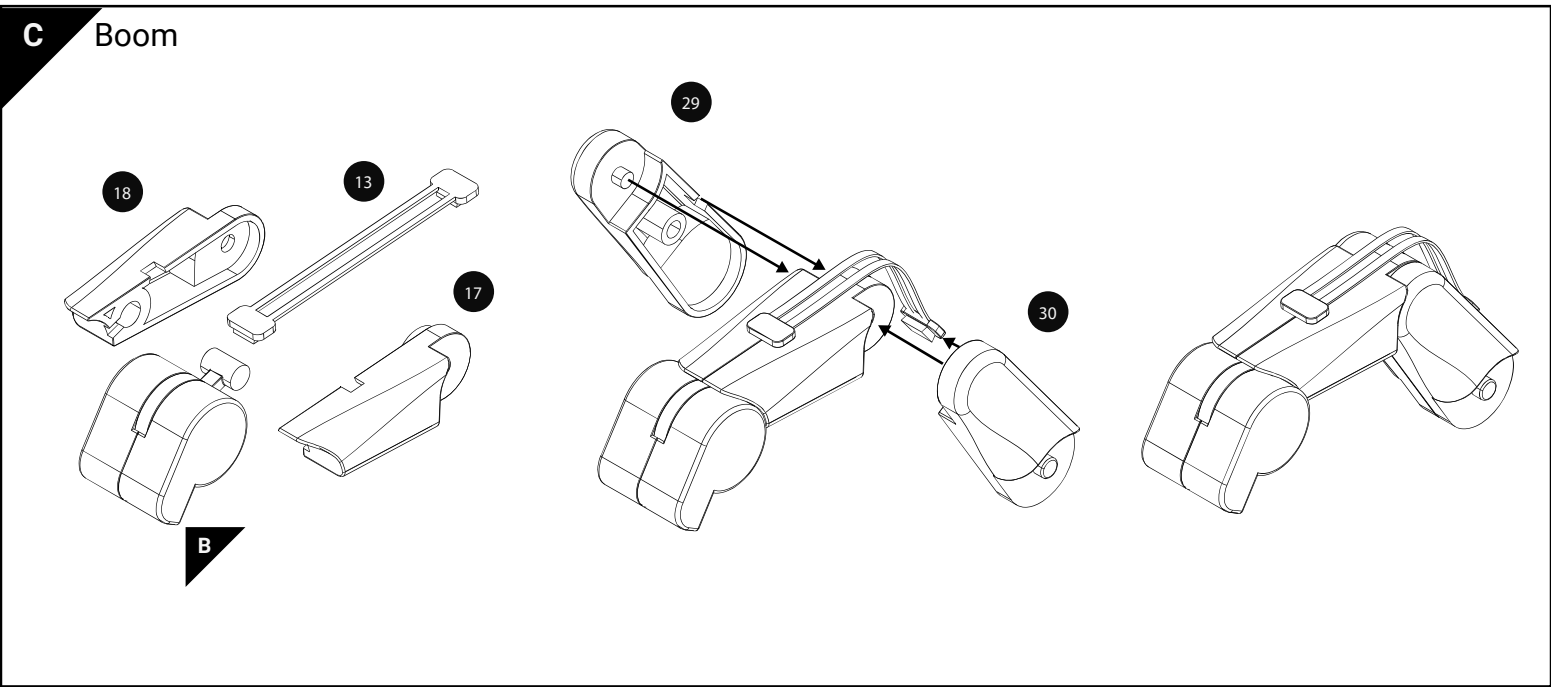
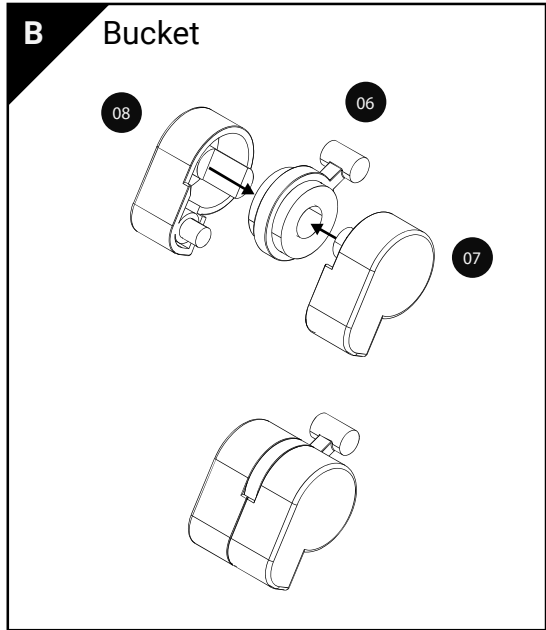
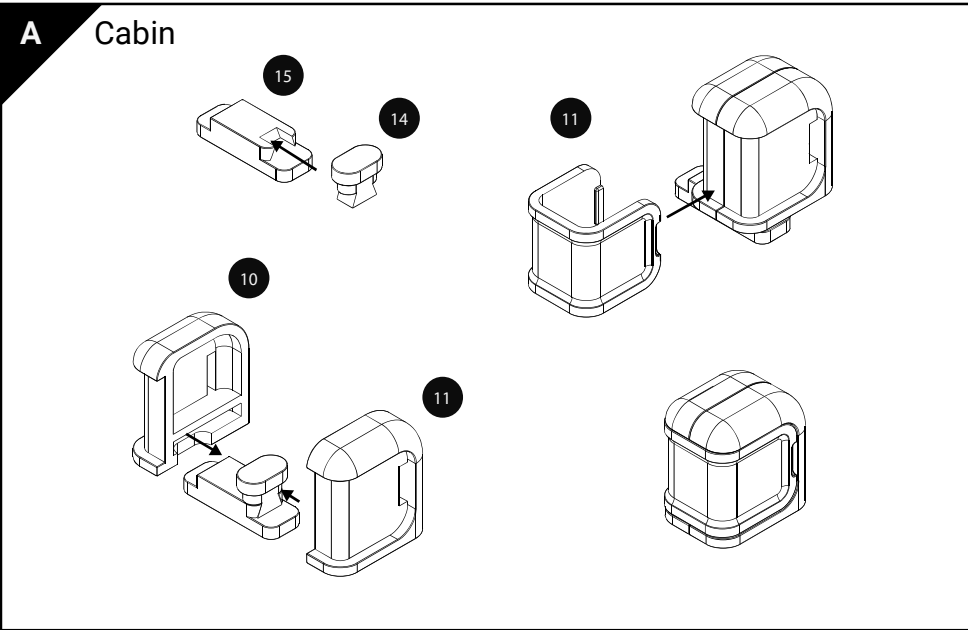


Parts List

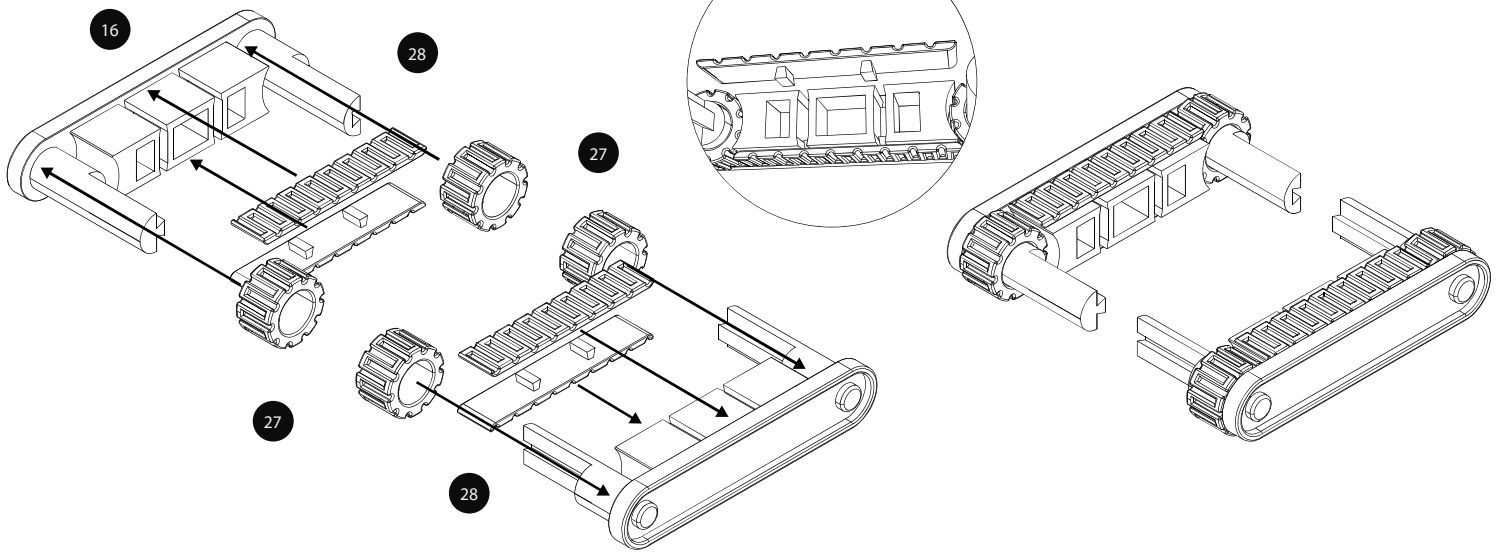


- | | | | | |
|------------------|-----------------|---------------------|-------------------------|---------------------|
| 01.Body Left | 07.Bucket Left | 13.Boom Cable | 19.Exhaust Cloud Left | 25.Exhaust Pipe |
| 02.Body Mid | 08.Bucket Right | 14.Cabin Peg | 20.Exhaust Cloud Right | 26.Grill Dots |
| 03.Body Right | 09.Cabin Left | 15.Body Notch | 21.Exhaust Peg | 27.Wheel S Tread |
| 04.Chassis Pivot | 10.Cabin Right | 16.Chassis Side | 22.SEALANDAIR Faceplate | 28.Track S Tread |
| 05.Pivot Bracket | 11.Window | 17.Boom Upper Left | 23.Boom Mid Left | 29.Boom Lower Left |
| 06.Bucket Mid | 12.Chassis Mid | 18.Boom Upper Right | 24.Boom Mid Right | 30.Boom Lower Right |

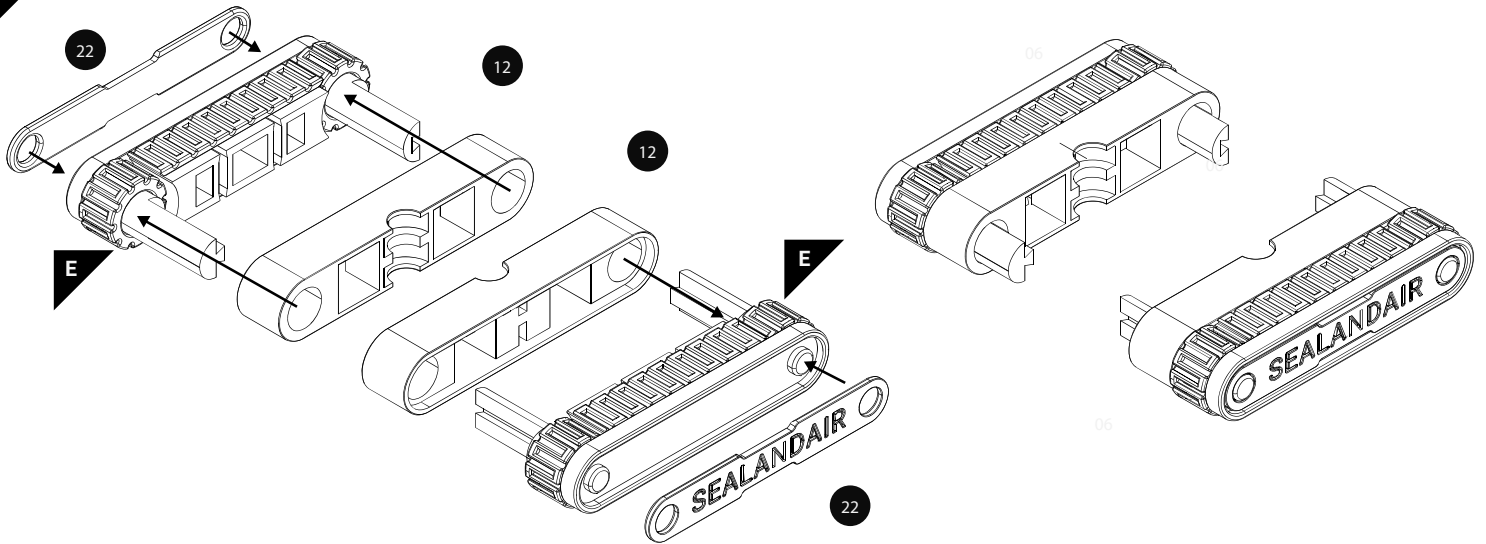
* Used for the extended boom build. Each additional boom section will require one more print of each of these parts.



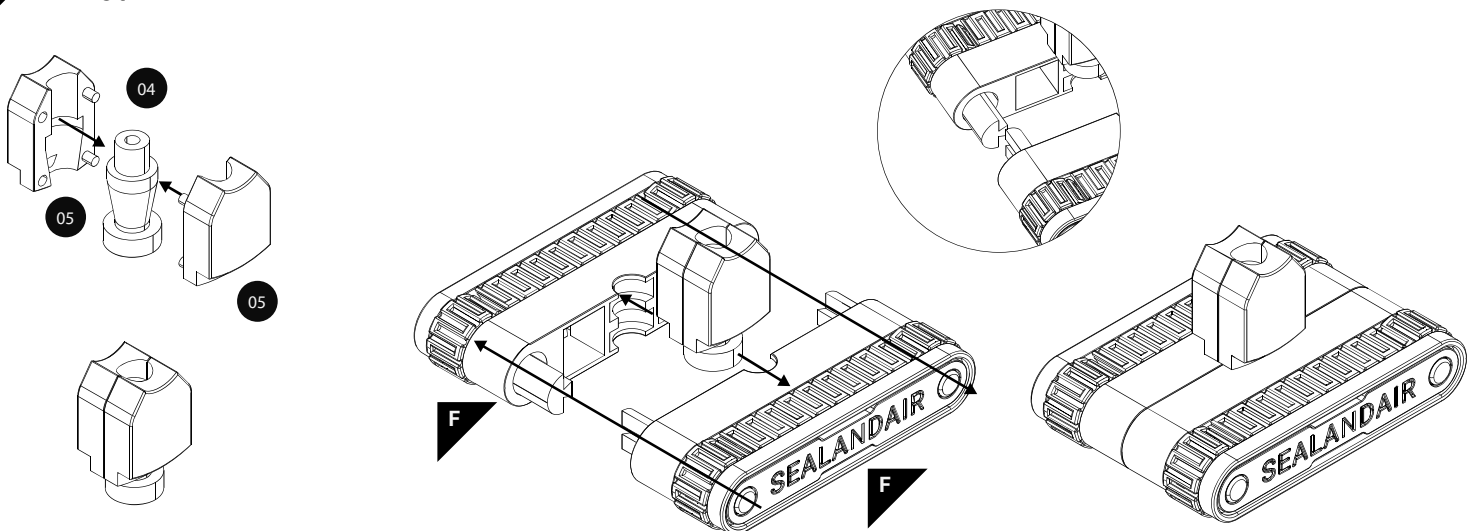
E Tracks



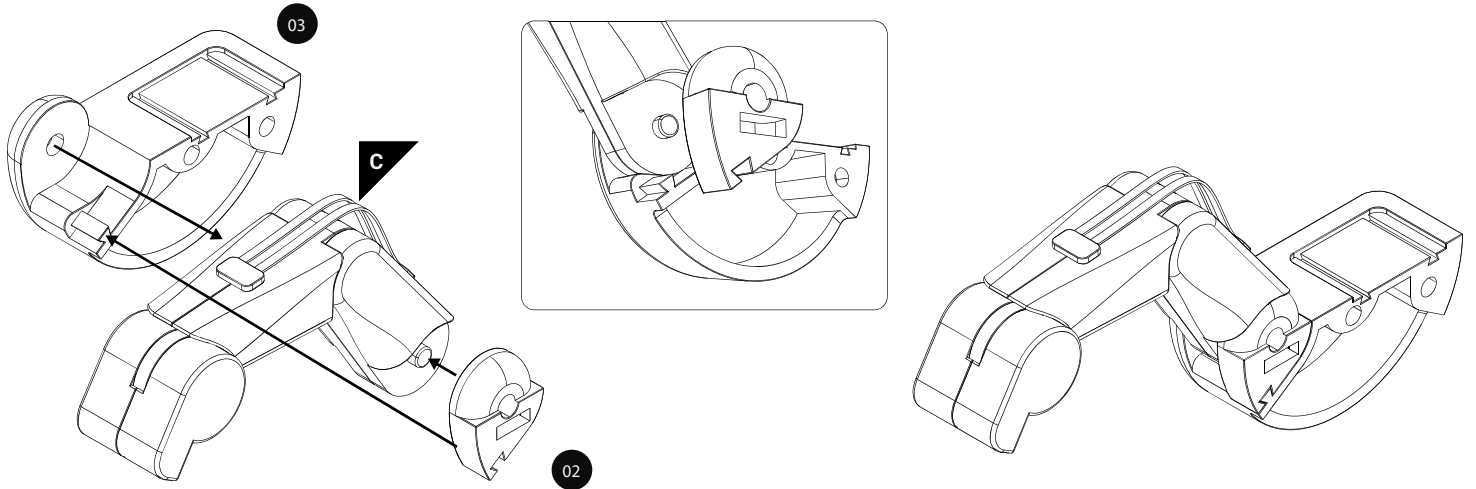
F Chassis



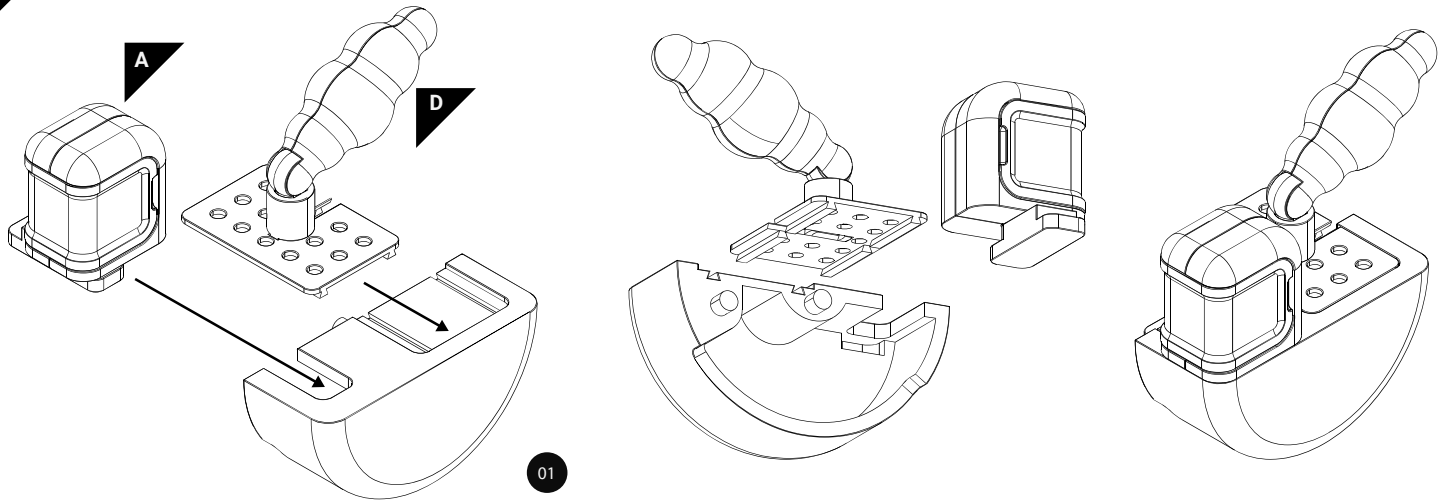
G Pivot



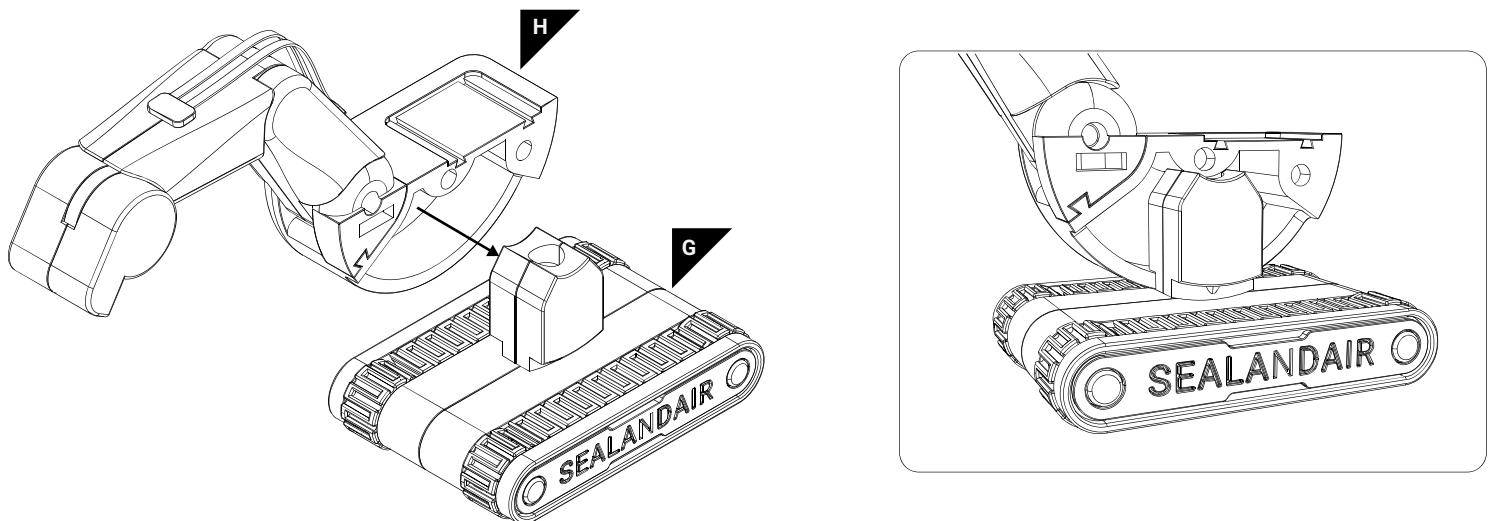
H Boom to Right Body



I Cabin and Exhaust to Left Body

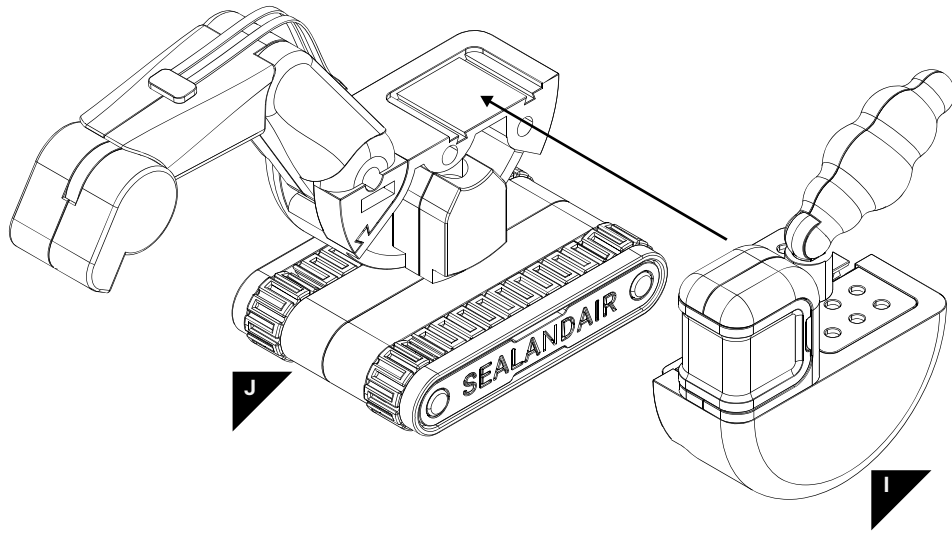


J Right Body to Pivot

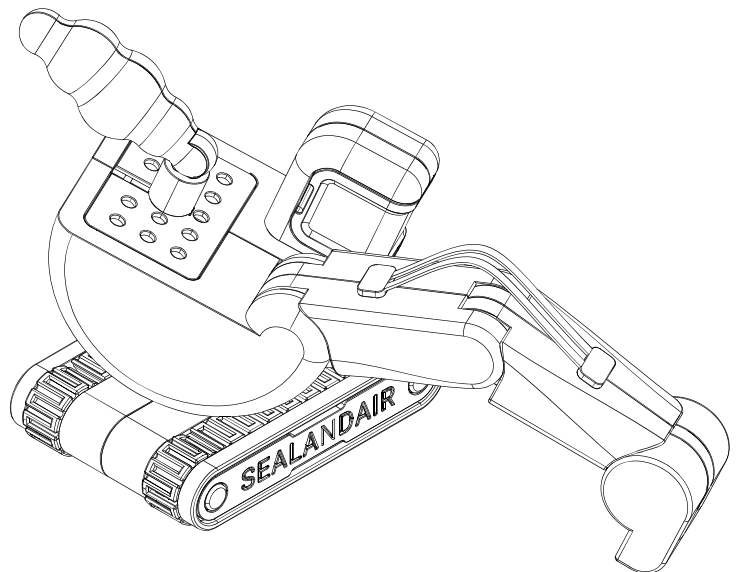
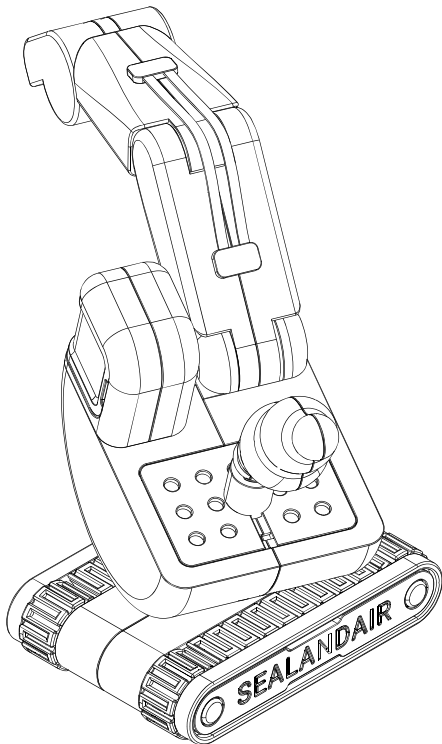
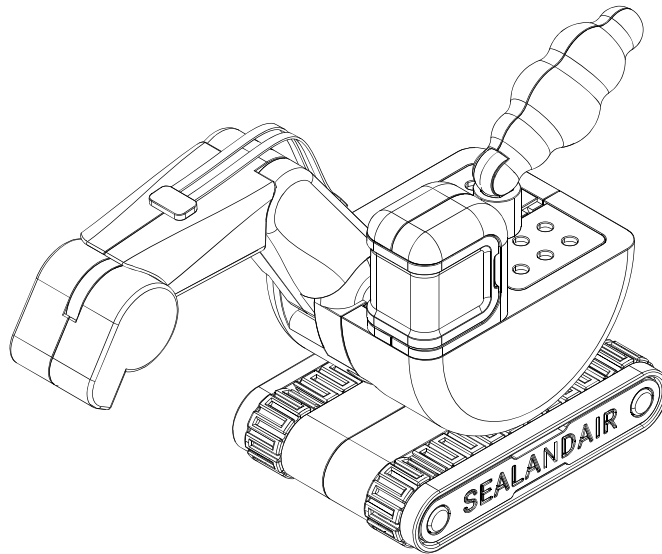


K

Left Body to Pivot



Complete!



C*

Boom Extension

